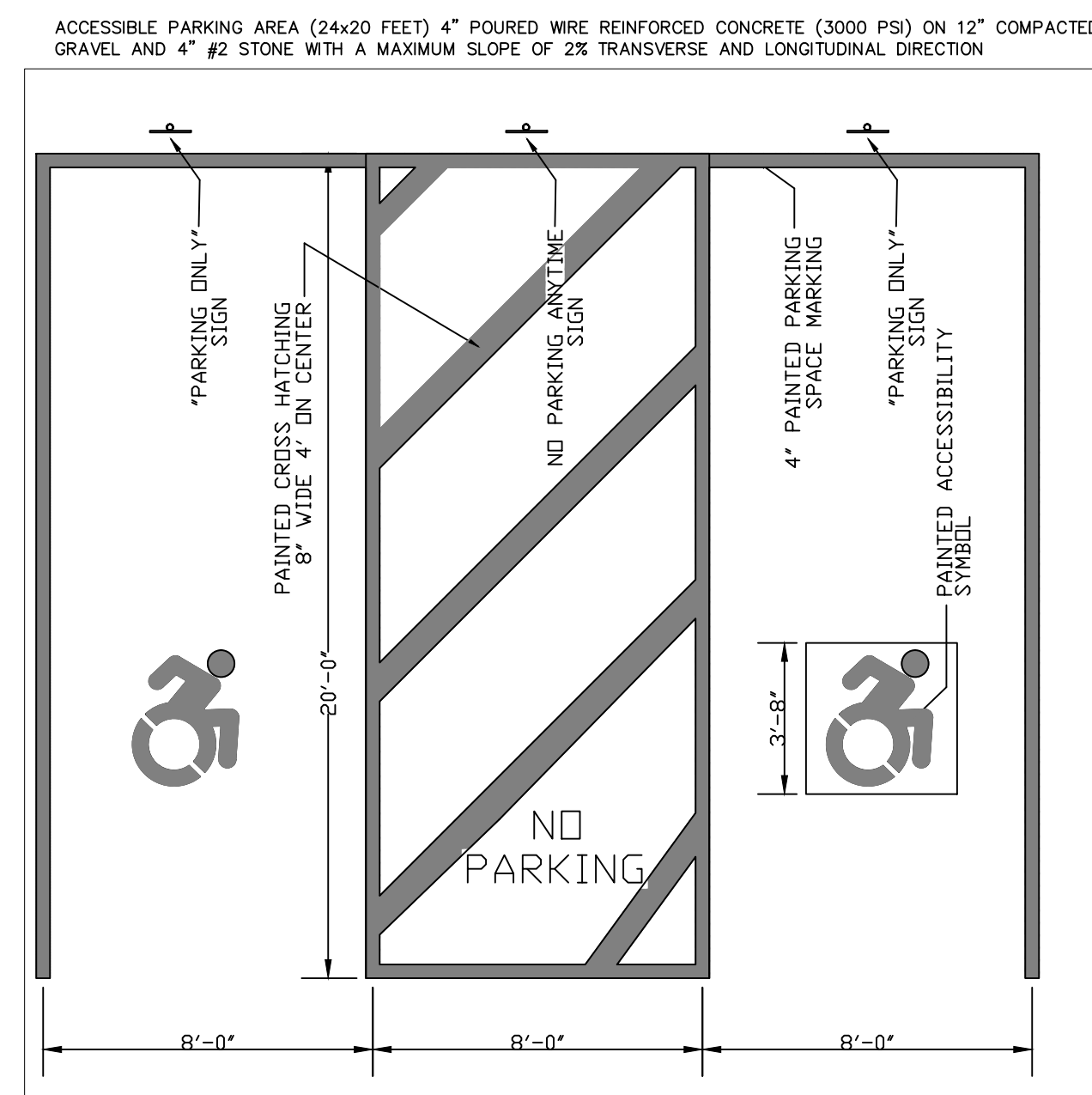
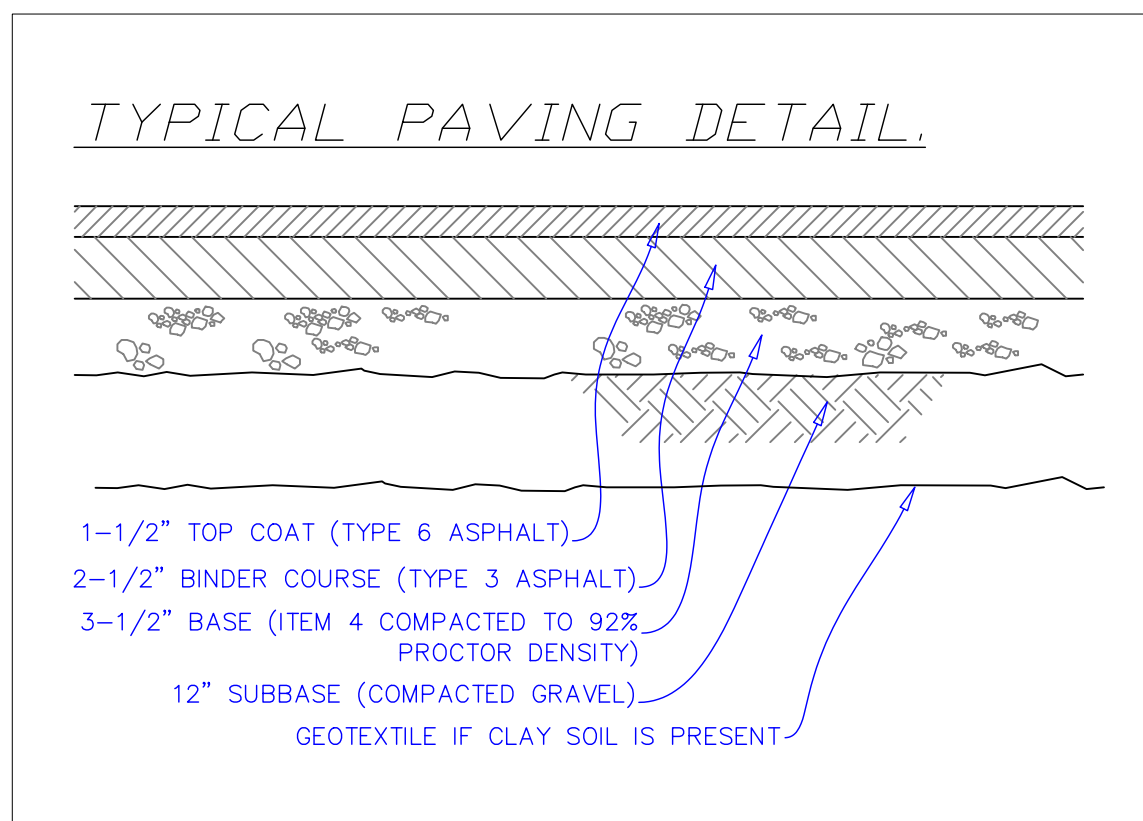


ACCESSIBLE PARKING SIGNS
SCALE 1/2"=1'-0"



DETAIL FOR ACCESSIBLE PARKING
1/4" = 1'-0"



EXISTING PARKING HAS BEEN ABOUT ADEQUATE, BUT UNDEFINED. PROJECT WILL ADD SOME PARKING AND DEFINE PARKING IN COMPLIANCE WITH NORMAL STANDARDS AND THE TOWN ZONING.

THE EXACT FUNCTION OF THIS CENTER IS NOT COVERED EXPLICITLY IN THE ZONING SEVERAL FUNCTIONS WOULD HAVE SIMILARITIES OR EQUIVALENCE. KEEPING IN MIND NONE OF THE CLIENTS (THE PEOPLE USING THE BEDROOMS ARE ALLOWED TO HAVE A CAR, SO REALLY THE PARKING IS FOR STAFF AND FOR ARRIVAL OR DEPARTURE OF CLIENTS.

210-29(3)(b) ELEMENTARY SCHOOL OR NURSERY 2 SPACES/CLASSROOM
210-29(5)(c) BOARDING HOUSE ONE SPACE PER BEDROOM
210-29(3)(e) ...CONVALESCENT HOME: 1 SPACE/EACH 2 BEDS

16 BEDROOMS FOR PEOPLE WITH NO CARS AND STAFF OF 8 WHICH EACH LIKELY TO BE IN A CAR.

I WOULD APPROXIMATE REGULATION AS BEING 12 SPACES.

Lot requirements	Existing	Proposed
Parking	12	14* 25+2

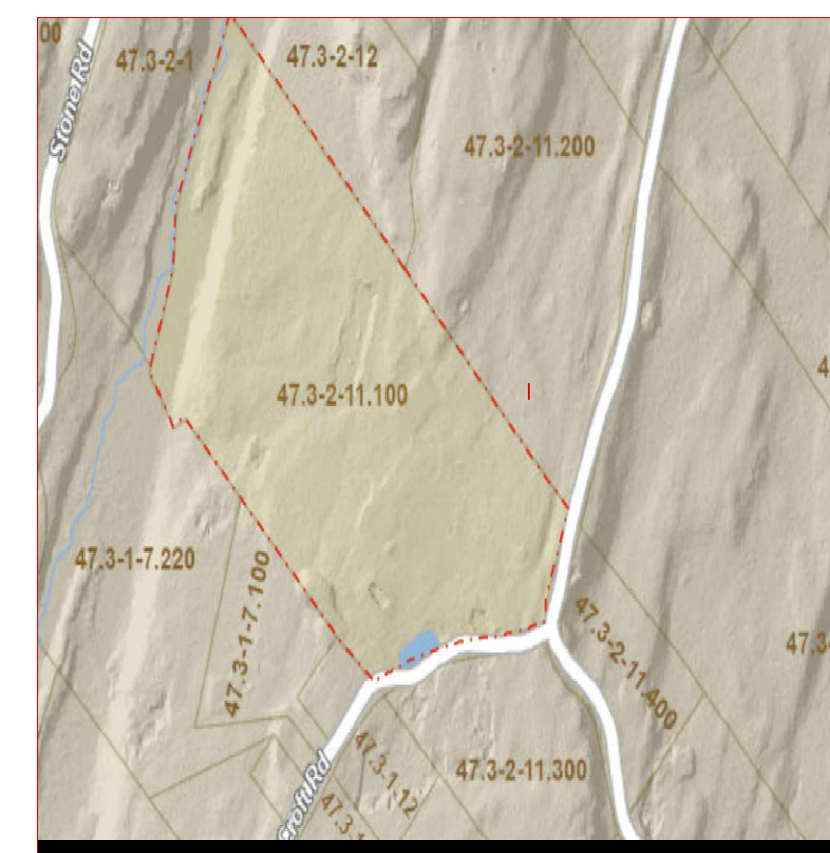
* approx because un marked

ZONE R2.5 - AREA AND BULK TABLE
ADOLESCENT REHAB FACILITY

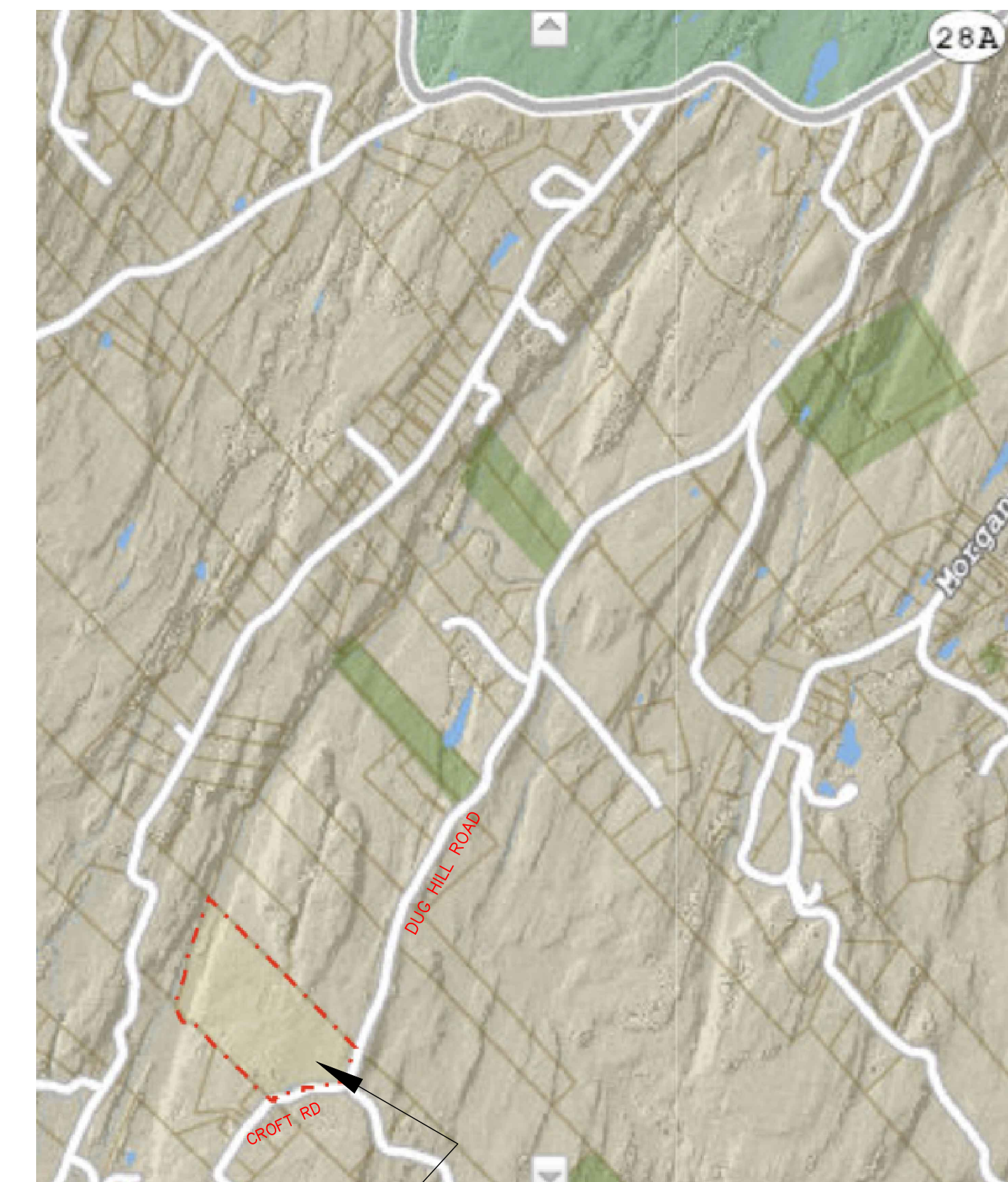
REGULATION	Setbacks (feet)		
	front	side	rear
New Teen Center	292	195	1231
Building 3 **	454	262	1074
Building 2 **	452	367	1036
Main Building **	339	267	1001
Gym **	302	165	918
Shop **	217	66	943
Pavillion **	193	250	1063

** EXISTING

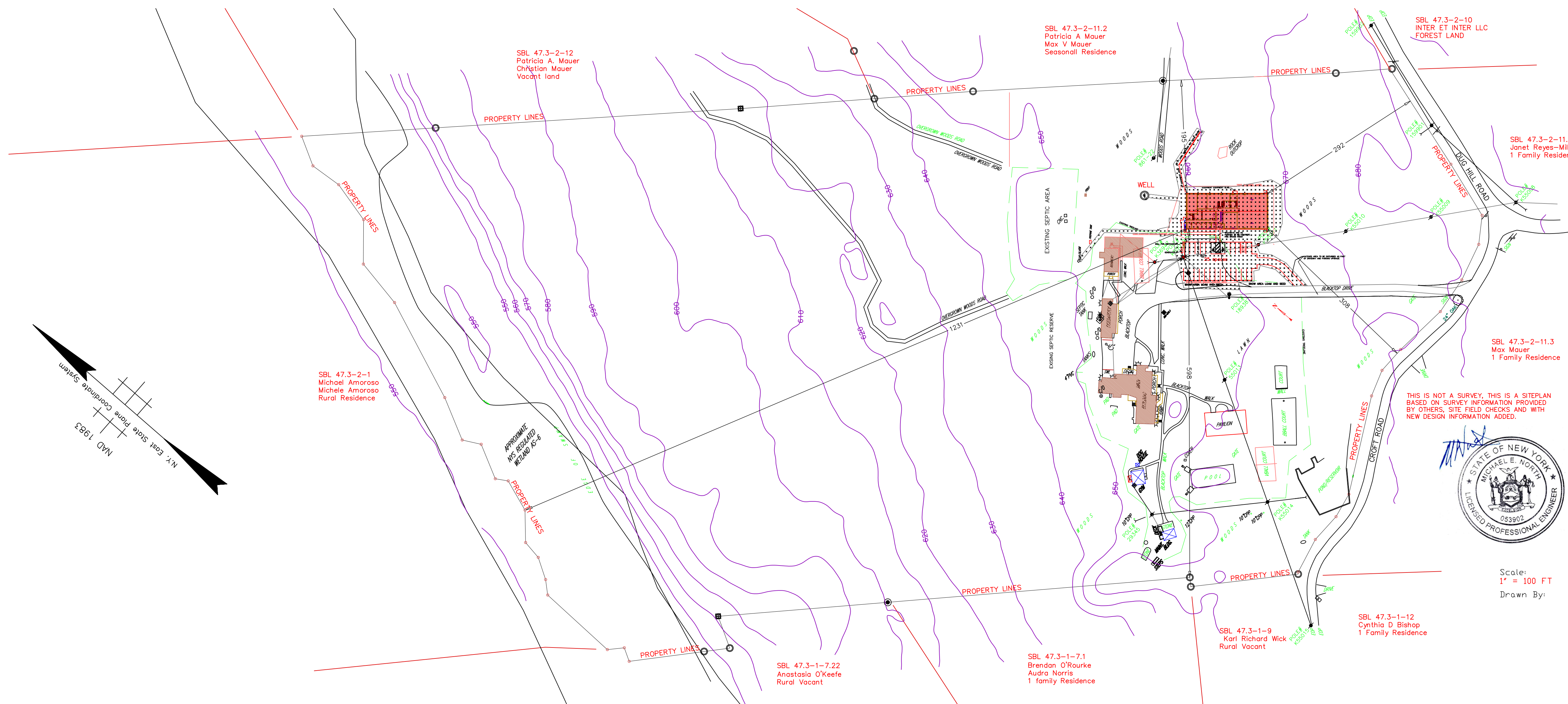
Lot requirements	Reg.	Existing	Proposed
Min lot size	40,000	1441996	1441996
Min width	150	855	855
Max Building height	35	22	26
Lot coverage %	15	1.4%	2.0%
Min. Green Space	25	96.6%	95.4%



TAX MAP



LOCATION



THIS IS NOT A SURVEY. THIS IS A SITEPLAN BASED ON SURVEY INFORMATION PROVIDED BY OTHERS, SITE FIELD CHECKS AND WITH NEW DESIGN INFORMATION ADDED.



Scale: 1" = 100 FT
Drawn By:

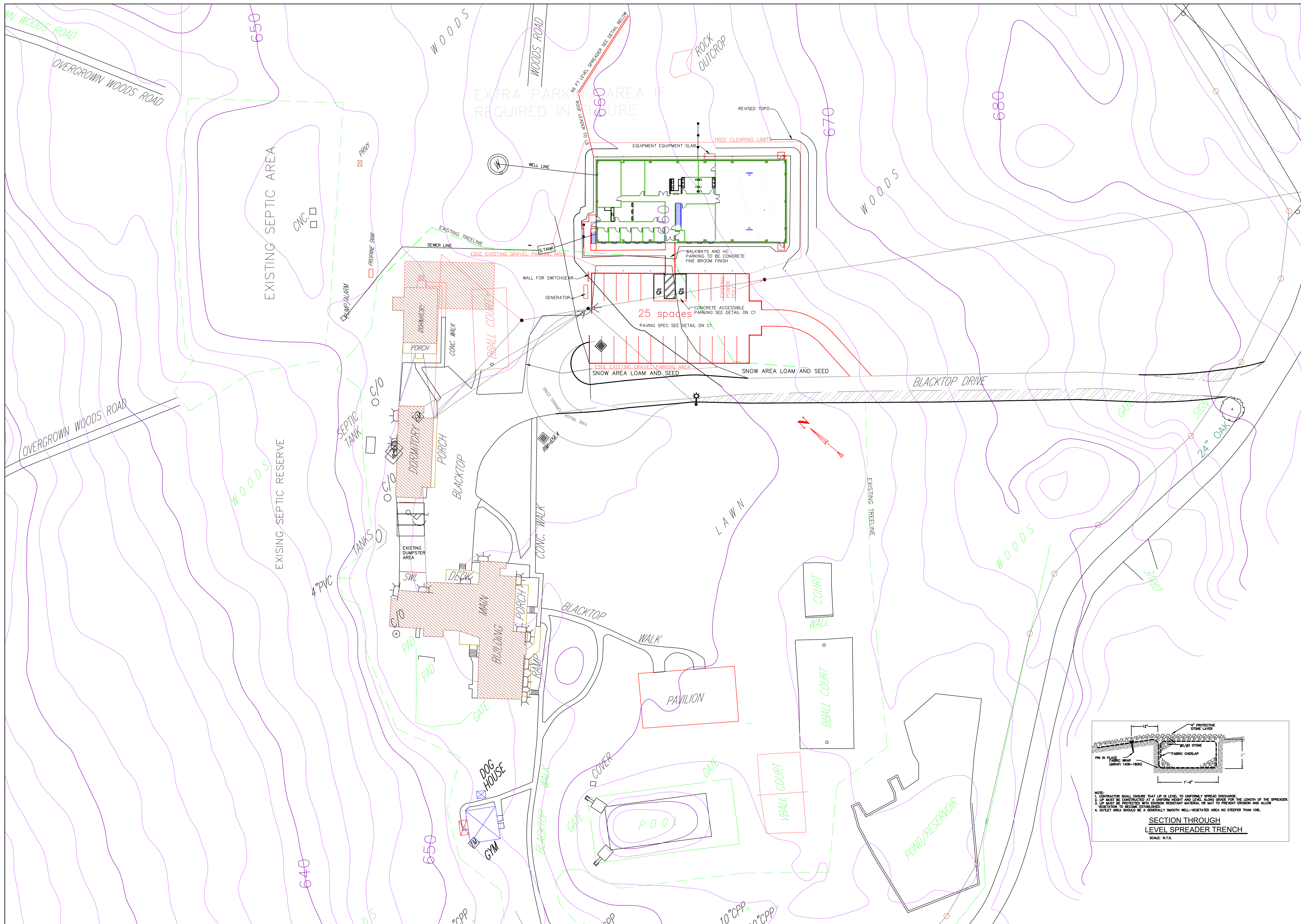
NORTH ENGINEERS & DESIGN ASSOCIATES
1404 Rt 28 PO BOX 278
WEST HURLEY, NY 12491
(845) 331-0028
WWW.NORTHENGINEERS.COM

NEVERALONE TEEN CENTER
SBL 47.3-2-111
20 CROFT RD
WEST HURLEY, NY
KMG HOLDINGS LLC
2925 10TH Ave. N
Palm Springs, FL

Scale: 1" = 100 FT
Drawn By: M. NORTH
DATE: JANUARY 29, 2024
REVISION: MARCH 1, 2024

SITE PLAN
TOWN OF HURLEY
PERMITTING

C-1
SITE PLAN

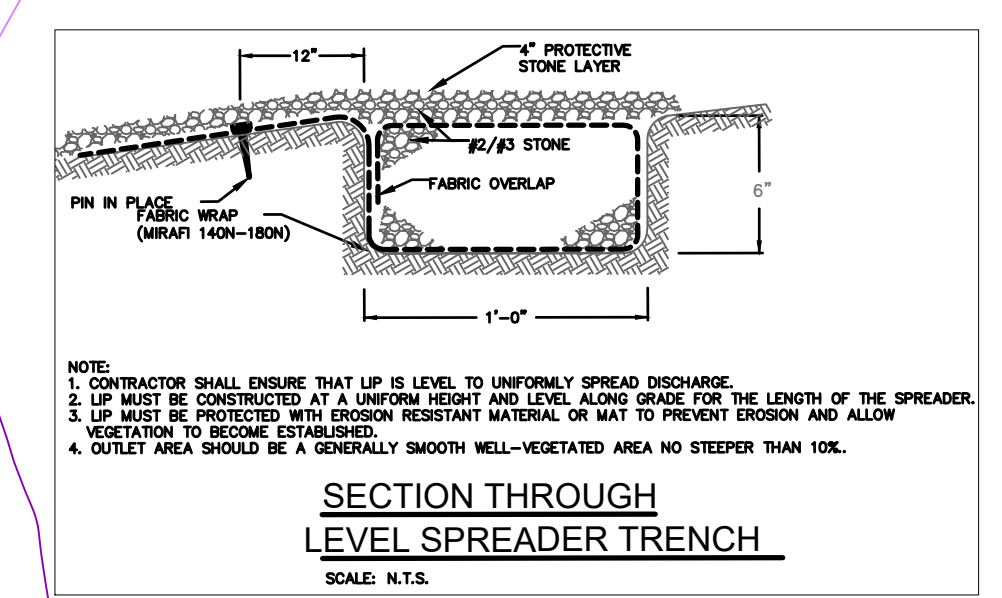


N
NORTH ENGINEERS & DESIGN ASSOCIATES
 1404 Rt 28 PO BOX 278
 WEST HURLEY, NY 12491
 (845) 331-0028
 WWW.NORTHENGINEERS.COM



NEveralone TEEN CENTER
 SBL 47.3-2-111
 20 CROFT RD
 WEST HURLEY, NY
KMG HOLDINGS LLC
 2925 10TH Ave. N
 Palm Springs, FL

Scale:
 1"=30' FT
 Drawn By:
 M. North
 DATE
 JANUARY 29, 2024
 REVISION
 MARCH 2, 2024



DETAIL SITE PLAN
 TOWN OF HURLEY
 PERMITTING

C-2

CONSTRUCTION SEQUENCING

1. INSTALL SILT FENCE AS PER PLAN AND DETAILS.
2. INSTALL STABILIZED CONSTRUCTION ENTRANCES AS PER PLAN AND DETAILS.
3. CONSTRUCT EMBANKMENT AND OUTLET STRUCTURES AS PER PLAN AND DETAILS.
4. APPLY SEED AND MULCH TO EMBANKMENT AREAS ACCORDING TO SCHEDULE AT ALL LOCATIONS WHERE DISTURBANCE HAS BEEN COMPLETED. MAINTAIN UNTIL VEGETATION HAS ESTABLISHED.
5. CONSTRUCT BORETENTION AND CHANNELS AS PER PLAN AND DETAILS.
6. APPLY SEED AND MULCH ACCORDING TO SCHEDULE AT ALL LOCATIONS WHERE DISTURBANCE HAS BEEN COMPLETED. MAINTAIN UNTIL VEGETATION HAS ESTABLISHED.

EROSION AND SEDIMENT CONTROL NOTES

THE CONTRACTOR SHALL PROVIDE ALL LABOR, MATERIALS, EQUIPMENT, TOOLS, AND INCIDENTALS REQUIRED TO ASSURE ADEQUATE ENVIRONMENTAL PROTECTION INCLUDING IMPLEMENTATION AND MAINTENANCE OF ALL EROSION AND SEDIMENT CONTROL MEASURES AND SITE RESTORATION MEASURES AS SHOWN, SPECIFIED, AND REQUIRED TO COMPLETE THE WORK.

MANAGEMENT STRATEGIES

1. THE RECOMMENDED CONSTRUCTION SEQUENCE INCLUDED AS PART OF THIS DESIGN SHALL BE FOLLOWED AS CLOSELY AS POSSIBLE IN ORDER TO MINIMIZE SEDIMENT AND EROSION LOSS.
2. ALL SEDIMENT AND EROSION CONTROL MEASURES MUST BE IN PLACE BEFORE THE START OF CONSTRUCTION AND MUST BE MAINTAINED THROUGHOUT THE ENTIRE JOB. RECOMMENDED PRACTICES ARE SPECIFIED ON THE DRAWINGS.
3. CONSTRUCTION TRAFFIC SHALL BE LIMITED TO THE CONSTRUCTION ENTRANCE.
4. PRACTICES SHOULD BE USED IN STAGES AND THE DISTURBED AREAS CAN BE SEEDED AND MULCHED WITHIN 48 HOURS.
5. ALL CONSTRUCTION ACTIVITIES SHOULD TAKE PLACE DURING DRY CONDITIONS. IF POSSIBLE, SCHEDULE CONSTRUCTION OF BMP(S) SENSITIVE TO EROSION AND STORM EVENTS IN THE EVENT THAT THIS CAN NOT BE AVOIDED, THE USE OF MULCH OVER THE AREA WILL BE REQUIRED (SEE SEEDING SPECIFICATION FOR QUANTITY OF MULCH TO BE APPLIED).
7. ANY CHANGE IN CONSTRUCTION DESIGN, CONSTRUCTION OPERATION OR MAINTENANCE AND CONSTRUCTION SEQUENCING, WILL REQUIRE AN AMENDMENT OF THE STORMWATER POLLUTION PREVENTION PLAN AND APPROVAL OF THE ENGINEER.
8. TEMPORARY SEED AND MULCH SHALL BE APPLIED IMMEDIATELY FOLLOWING ROUGH GRADING IF FINAL SEEDING AND MULCHING CANNOT BE ACCOMPLISHED IN 48 HOURS.
9. EROSION CONTROL MEASURES SHALL BE INSPECTED CONTINUOUSLY, ESPECIALLY FOLLOWING SIGNIFICANT STORM EVENTS TO LOCATE FAILING CONTROL MEASURES AND CONDUCT ROUTINE MAINTENANCE OPERATION.
10. THE CONSTRUCTION SUPERINTENDENT SHALL INFORM ALL ON-SITE WORKERS OF THE SEDIMENTATION CONTROL PROGRAM.
11. STRUCTURES SHALL HAVE ALL SEDIMENT REMOVED ON A ROUTINE BASIS DURING CONSTRUCTION ACTIVITIES.
12. ALTERNATIVES TO THE SUGGESTED PRACTICES ARE POSSIBLE AND SHALL BE DISCUSSED WITH THE ENGINEER PRIOR TO THE START OF CONSTRUCTION.

VEGETATIVE CONTROL PRACTICES

1. TOPSOIL STOCKPILING: TOPSOIL SHALL BE STRIPPED FROM AREAS TO BE DISTURBED AND STOCKPILED FOR LATER USE. STOCKPILE LOCATION SHALL BE APPROVED BY THE OWNER AND ENGINEER.
2. TEMPORARY SEEDING: TOPSOIL STOCKPILE, AND ROUGH GRADED AREAS SHALL BE SEEDED WITH WINTER RYE AT A RATE OF 30 LBS. PER ACRE.
3. STOCKPILES OF FILL AND /OR TOPSOIL THAT ARE TO BE STORED IN EXCESS OF 14 DAYS SHALL BE PROTECTED FROM WIND AND WATER EROSION. METHODS SHOULD INCLUDE MULCHING, SPRINKLING, SILT FENCE, AND STACKED BALES.
4. PERMANENT SEEDING OF ALL DISTURBED AREAS SHALL BE WITHIN 48 HOURS OF FINISHED GRADING.

- A. SITE PREPARATION**
1. COMPLETE ALL ROUGH GRADING ACTIVITIES.
 - REMOVE ALL ROCKS AND DEBRIS LARGER THAN 3" IN DIAMETER FROM AREAS TO BE TEMPORARILY SEEDING.
 - EVENLY APPLY LIME TO ACHIEVE A PH VALUE OF 6.
 - EVENLY APPLY 14 LBS PER ACRE OF 5-10-10 FERTILIZER TO A DEPTH OF 4" USING SUITABLE EQUIPMENT.
 - SEEDBED IS TO BE LEFT IN FIRM AND SMOOTH CONDITION.
 - THE LAST TILLAGE OPERATION SHALL BE PERFORMED ACROSS THE SLOPE.
- B. ESTABLISHMENT**
1. EVENLY APPLY SEED IN ACCORDANCE WITH THE SPECIES AND RATE INDICATED ABOVE BY MEANS OF BROADCASTING OR HYDRO SEEDING.
 - UNLESS HYDRO SEEDING, COVER SEED WITH 1/4" TO 1/2" OF TOPSOIL.
 - APPLY MULCH IMMEDIATELY FOLLOWING SEEDING.
 - VERIFY SEEDING DATES WITH ENGINEER. IF ENGINEER DETERMINES THAT SEED CANNOT BE APPLIED DUE TO CLIMATE, TOPSOIL SHALL NOT BE SPREAD AND MULCHING SHALL BE APPLIED TO STABILIZE THE SOILS TO THE NEXT RECOMMENDED SEEDING PERIOD.
 - PERMANENT SEEDING SHALL BE APPLIED BETWEEN APRIL 15 AND SEPTEMBER 30. TEMPORARY SEEDING SHALL BE TO ALL DISTURBED AREAS OUTSIDE THIS TIMEFRAME, UPON APPROVAL OF THE ENGINEER.
- C. MAINTENANCE**
1. ALL SEEDED/MULCHED AREAS SHALL BE INSPECTED REGULARLY TO SEE THAT A GOOD STAND IS MAINTAINED. AREAS SHALL BE REPAIRED AS NECESSARY.

NONSTRUCTURAL CONTROL PRACTICES

1. SCARIFICATION: EXPOSED SLOPES EXCEEDING 4:1 SHALL BE SCARIFIED AT RIGHT ANGLES TO THE SLOPE. PROVIDE PERIODIC UPGRADING OR SCARRATIONS DURING EXPOSED PERIOD UNTIL VEGETATION IS ESTABLISHED. PROVIDE VEGETATIVE COVER AS SOON AS POSSIBLE. TOPSOIL STOCKPILING: TOPSOIL SHALL BE STRIPPED FROM AREAS TO BE DISTURBED AND STOCKPILED FOR LATER USE. STOCKPILE LOCATION SHALL BE APPROVED BY THE OWNER AND ENGINEER.
2. MULCH: MULCH SHALL BE APPLIED IN CONJUNCTION WITH TEMPORARY/PERMANENT SEEDING AND TO GRADED AREAS WHICH REMAIN EXPOSED OUTSIDE OF THE RECOMMENDED SEEDING DATES. MULCH SHALL BE APPLIED AT 30 LBS. PER 1000 SQUARE FOOT. CONTRACTOR SHALL PERIODICALLY INSPECT AND REAPPLY AS NECESSARY, PARTICULARLY FOLLOWING SIGNIFICANT STORM EVENTS.
3. TOPSOIL: DISTURBED AREAS SHALL BE TOP SOILED PRIOR TO SEED APPLICATION.
 1. REMOVE ALL ROCKS AND DEBRIS OVER 1 1/2" IN DIAMETER.
 1. SCARRIFY SURFACE PRIOR TO SEED APPLICATION.
 1. APPLY 6" DEPTH OF TOPSOIL.
4. SILT FENCE: SILT FENCE SHALL BE INSTALLED AROUND THE PERIMETER OF THE SITE, AT CULVERT OUTLET LOCATIONS, AND AS INDICATED ON THE DRAWINGS. SILT FENCE SHALL BE INSPECTED AND REPAIRED ROUTINELY, ESPECIALLY FOLLOWING SIGNIFICANT STORM EVENTS UNTIL THE SITE HAS BEEN STABILIZED BY VEGETATION.

STRUCTURAL CONTROL PRACTICES

1. RIP RAP OUTLET PROTECTION: RIPRAP SHALL BE PROVIDED AS SHOWN ON THE PLANS. MATERIAL SHALL BE HARD, DURABLE FIELD OR QUARRY STONE WHICH IS ANGULAR AND RESISTS BREAKING DOWN WHEN EXPOSED TO WATER AND WEATHERING. ROCK PROTECTION FOR WATERWAYS AND CULVERT OUTLETS SHALL BE INSTALLED WITHIN 24 HOURS AFTER CONSTRUCTION OF THE WATERWAY AND/OR CULVERT.
2. TEMPORARY DIVERSIONS: DIVERSIONS SHOULD OUTLET TO GRASSED AREAS OR TO TEMPORARY SETTLING PONDS. SEDIMENT LADEN WATER CAN ALSO BE PUMPED TO A GRASS AREA AWAY FROM ANY WATERWAY (> 200FT) TO ALLOW FILTERING OF THE WATER.
3. TEMPORARY SEDIMENT BASIN: PROPOSED FOND SHALL ACT AS TEMPORARY SEDIMENT BASIN.
4. DUST CONTROL: A WATER TRUCK SHOULD BE LOCATED ON SITE FOR DUST CONTROL WHILE WORK IS PROCEEDING.
5. MAINTENANCE SEDIMENTATION CONTROL MEASURES SHALL BE CHECKED WEEKLY AND AFTER EACH SIGNIFICANT RAINFALL EVENT.

TEMPORARY STABILIZATION PLANTING NOTES

1. WATER MANAGEMENT PRACTICES MUST BE INSTALLED AS APPROPRIATE FOR SITE CONDITIONS.
- ROUGH GRADE AREA AND ASSURE THAT SLOPES ARE PHYSICALLY STABLE.
3. SEED WITHIN 24 HOURS OF DISTURBANCE OR SCARRIFICATION OF THE SOIL SURFACE WILL BE NECESSARY PRIOR TO SEEDING.
4. IF SEEDING IN SPRING, SUMMER OR EARLY FALL, SEED WITH RYEGRASS (ANNUAL OR PERENNIAL) AT 30 LBS. PER ACRE. (~0.7 LB./1,000 SQ.FT. 1 LB/ACRE MAY BE USED.)
5. IF LATE FALL OR EARLY WINTER, THEN SEED CERTIFIED ARYSTOCK WINTER RYE (CEREAL RYE) AT 100 LBS. PER ACRE (2.5 LBS./1,000 SQ. FT.)
6. UNIFORM APPLICATION OF SEED IS CRUCIAL IN ORDER TO RESULT IN GOOD SOIL TO SEED CONTACT.
7. MULCH WITH HAY OR STRAW AT 2 TONS/ACRE (~0.8 LBS./1,000 SQ. FT. OR TWO BALES)
8. MULCH ANCHORING IS REQUIRED WHERE WIND OR AREAS OF CONCENTRATED WATER ARE OF CONCERN.
9. WOOD FIBER HYDROMULCH OR OTHER SPRAYABLE PRODUCTS APPROVED FOR EROSION CONTROL MAY BE USED IF APPLIED ACCORDING TO MANUFACTURERS SPECIFICATIONS.

CONSTRUCTION SPECIFICATIONS

1. ALL GRADED OR DISTURBED AREAS INCLUDING SLOPES SHALL BE PROTECTED DURING CLEARING AND CONSTRUCTION IN ACCORDANCE WITH THE APPROVED SEDIMENT CONTROL PLAN UNTIL THEY ARE PERMANENTLY STABILIZED.
2. ALL SEDIMENT CONTROL PRACTICES AND MEASURES SHALL BE CONSTRUCTED, APPLIED AND MAINTAINED IN ACCORDANCE WITH THE APPROVED SEDIMENT CONTROL PLAN AND THE NEW YORK STATE STANDARDS AND SPECIFICATIONS FOR EROSION AND SEDIMENT CONTROL.
3. TOPSOIL REQUIRED FOR THE ESTABLISHMENT OF VEGETATION SHALL BE STOCKPILED IN AMOUNT NECESSARY TO COMPLETE FINISHED GRADING OF ALL EXPOSED AREAS.
4. AREAS TO BE FILLED SHALL BE CLEARED, GRUBBED, AND STRIPPED OF TOPSOIL TO REMOVE TREES, VEGETATION, ROOTS OR OTHER OBJECTIONABLE MATERIAL.
5. AREAS WHICH ARE TO BE TOPSOILED SHALL BE SCARRIFIED TO A MINIMUM DEPTH OF FOUR INCHES PRIOR TO PLACEMENT OF TOPSOIL.
6. ALL FILLS SHALL BE COMPACTED AS REQUIRED TO REDUCE EROSION, SLIPPAGE, SETTLEMENT, SUBSIDENCE OR OTHER RELATED PROBLEMS. FILL INTENDED TO SUPPORT BUILDINGS, STRUCTURES AND CONDUITS, ETC. SHALL BE COMPACTED IN ACCORDANCE WITH LOCAL REQUIREMENTS OR CODES.
7. ALL FILL TO BE PLACED AND COMPACTED IN LAYERS NOT TO EXCEED 9 INCHES IN THICKNESS.
8. EXCEPT FOR APPROVED LANDFILLS, FILL MATERIAL SHALL BE FREE OF FROZEN PARTICLES, BRUSH, ROOTS, SOIL, OR OTHER FOREIGN OR OTHER OBJECTIONABLE MATERIALS THAT WOULD INTERFERE WITH OR PREVENT CONSTRUCTION OF SATISFACTORY FILLS.
9. FROZEN MATERIALS OR SOFT, MUCKY OR HIGHLY COMPRESSIBLE MATERIALS SHALL NOT BE INCORPORATED IN FILLS.
10. FILL SHALL NOT BE PLACED ON SATURATED OR FROZEN SURFACES.
11. ALL BENCHES SHALL BE KEPT FREE OF SEDIMENT DURING ALL PHASES OF DEVELOPMENT.
12. SEEPS OR SPRINGS ENCOUNTERED DURING CONSTRUCTION SHALL BE HANDLED IN ACCORDANCE WITH THE STANDARD SPECIFICATION FOR SUBSURFACE DRAIN OR OTHER APPROVED METHOD.
13. ALL GRADED AREAS SHALL BE PERMANENTLY STABILIZED IMMEDIATELY FOLLOWING FINISHED GRADING.
14. STOCKPILES, BORROW AREAS AND SPILL AREAS SHALL BE SHOWN ON THE PLANS AND SHALL BE SUBJECT TO THE PROVISIONS OF THIS STANDARD AND SPECIFICATION.
15. SITE SHOULD BE PREPARED AS RECOMMENDED IN GEOTECHNICAL REPORT INCLUDING STRIPPING, PLACEMENT OF CONTROLLED FILL MATERIALS AND REQUIRED SITE INSPECTIONS. SEE EMBANKMENT DETAIL SHEET SW-10 FOR ADDITIONAL INFORMATION.

SOIL RESTORATION

DURING PERIODS OF RELATIVELY LOW TO MODERATE SUBSOIL MOISTURE, THE DISTURBED SUBSOILS ARE RETURNED TO ROUGH GRADE AND THE FOLLOWING SOIL RESTORATION STEPS APPLIED:

- 1) APPLY 3 INCHES OF COMPOST OVER SUBSOIL
- 2) TILL COMPOST INTO SUBSOIL TO A DEPTH OF AT LEAST 12 INCHES USING A CAT-MOUNTED RIPPER, TRACTOR-MOUNTED DISC, OR TILERS
- 3) MIXING AND CIRCULATING AIR AND COMPOST INTO SUBSOILS
- 4) CLEANED OFF THE SITE
- 5) VEGETATE AS REQUIRED BY APPROVED PLAN.

AT THE END OF THE PROJECT AN INSPECTOR SHOULD BE ABLE TO PUSH A 3/8 METAL BAR 12 INCHES INTO THE SOIL JUST WITH BODY MIGHT. FIGURES 5.16 AND 5.17 SHOW TWO ATTACHMENTS USED FOR SOIL DECOMPACTION. TILLING (STEP 2 ABOVE) SHOULD NOT BE PERFORMED WITHIN THE DRIP LINE OF ANY EXISTING TREES OR OVER UTILITY INSTALLATIONS THAT ARE WITHIN 24 HOURS OF THE SURFACE.

COMPOST SPECIFICATIONS
COMPOST SHALL BE AGED, FROM PLANT DERIVED MATERIALS, FREE OF VIABLE WEED SEEDS, HAVE NO VISIBLE FREE WATER OR DUST PRODUCED WHEN HANDLING, PASS THROUGH A HALF INCH SCREEN AND HAVE A PH SUITABLE TO GROW DESIRED PLANTS

MAINTENANCE

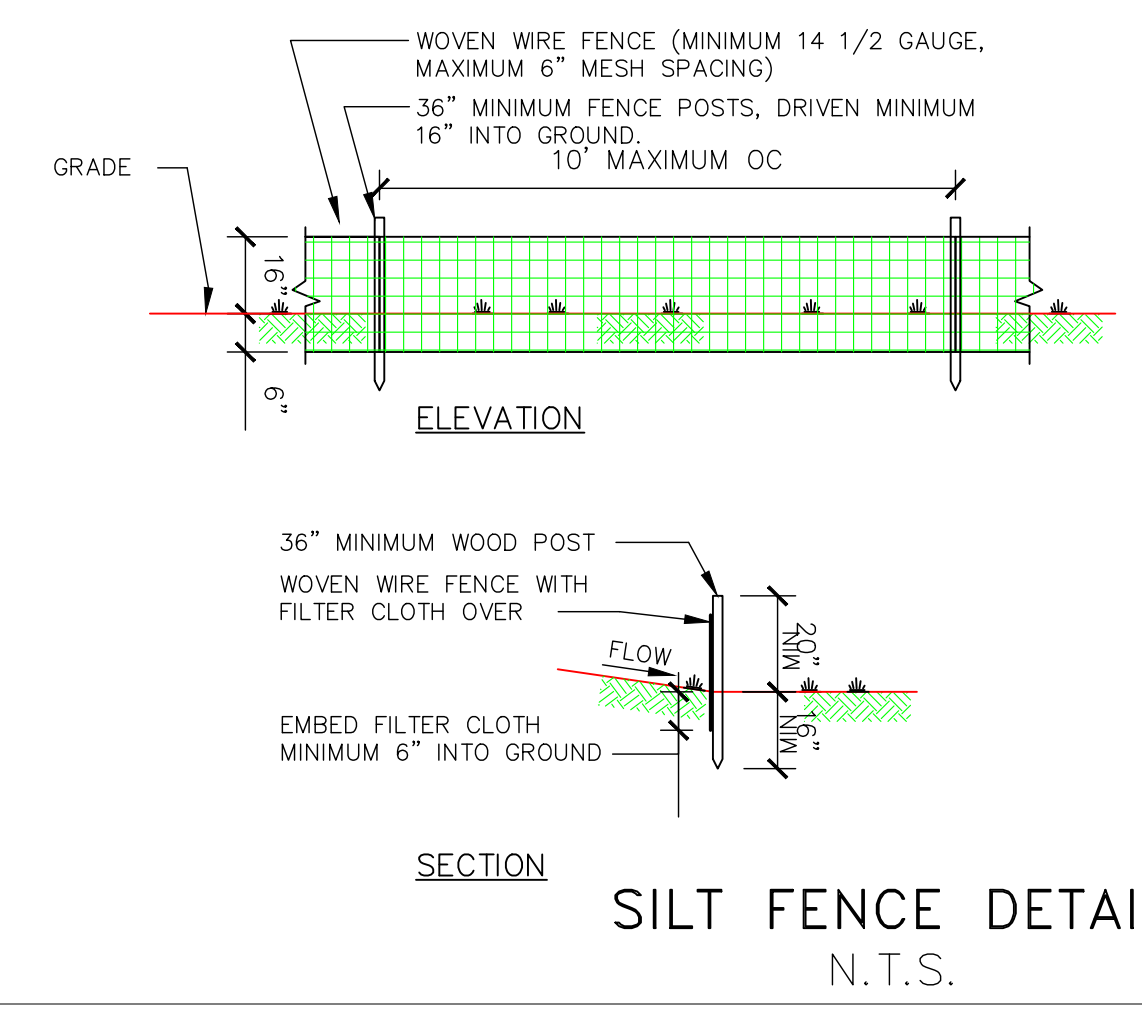
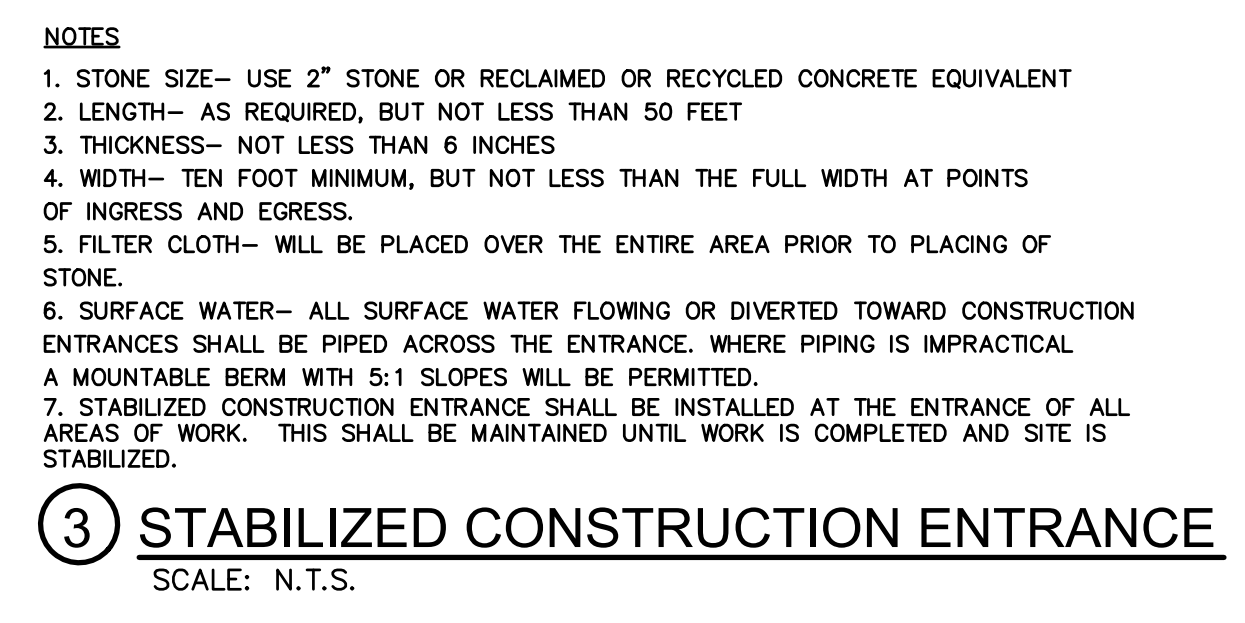
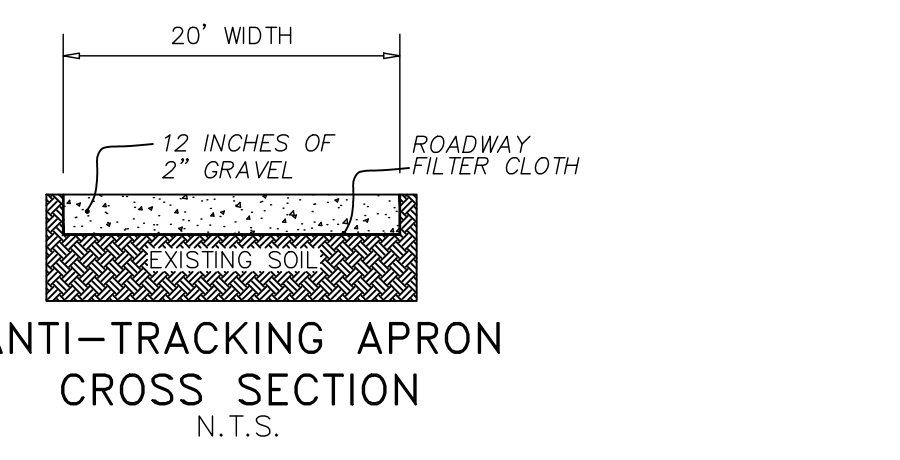
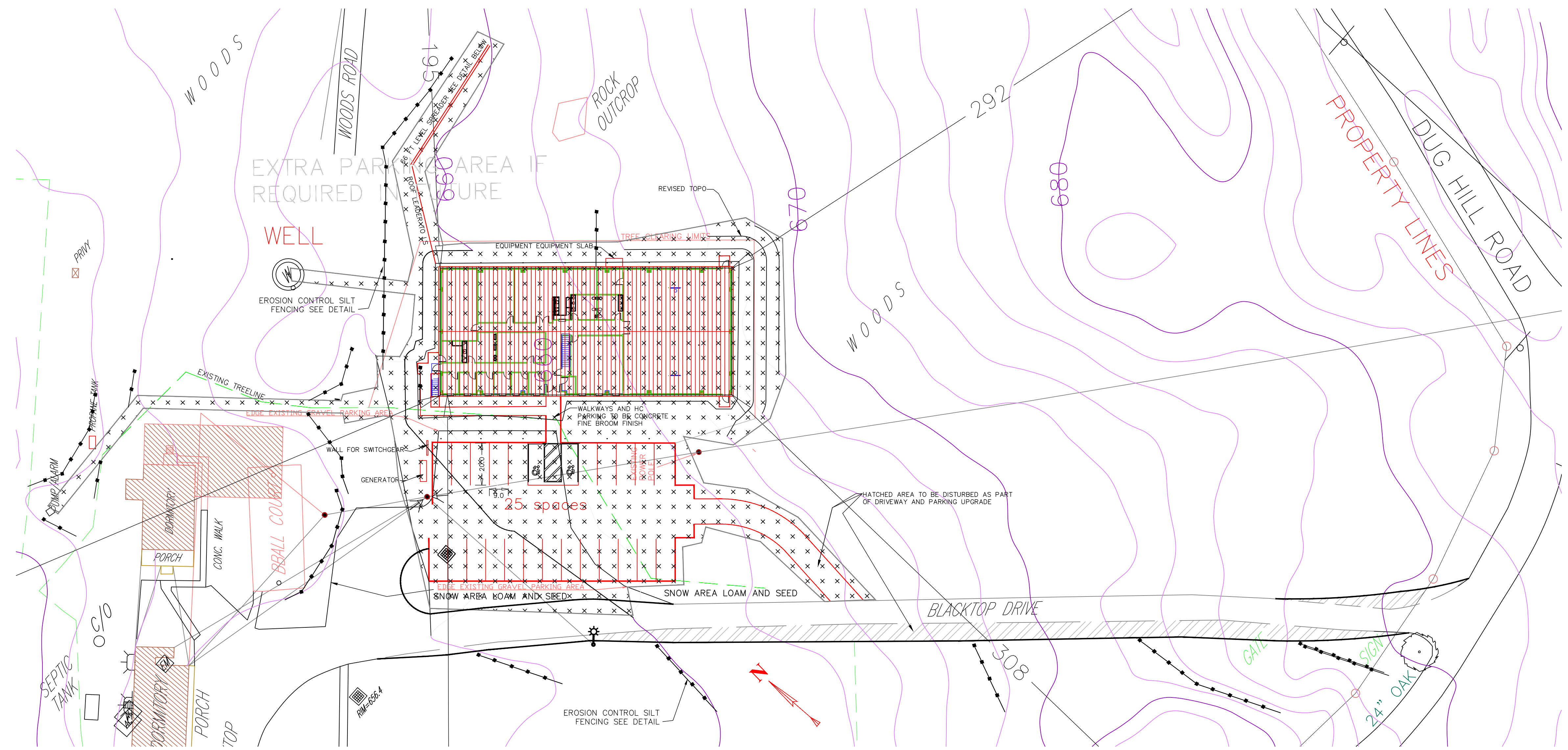
A SIMPLE MAINTENANCE AGREEMENT SHOULD IDENTIFY WHERE SOIL RESTORATION IS APPLIED, WHERE NEWLY RESTORED AREAS ARE/CANNOT BE CLEARED, WHO THE RESPONSIBLE PARTIES ARE, TO ENSURE THAT ROUTINE VEGETATION IMPROVEMENTS ARE MADE (I.E. THINNING, INVASIVE PLANT REMOVAL, ETC.). SOIL COMPOST AMENDMENTS WITHIN A FILTER STRIP OR GRASS CHANNEL SHOULD BE LOCATED IN PUBLIC RIGHT OF WAY, OR WITHIN A DEDICATED STORMWATER OR DRAINAGE EASEMENT.

FIRST YEAR MAINTENANCE OPERATIONS INCLUDES:

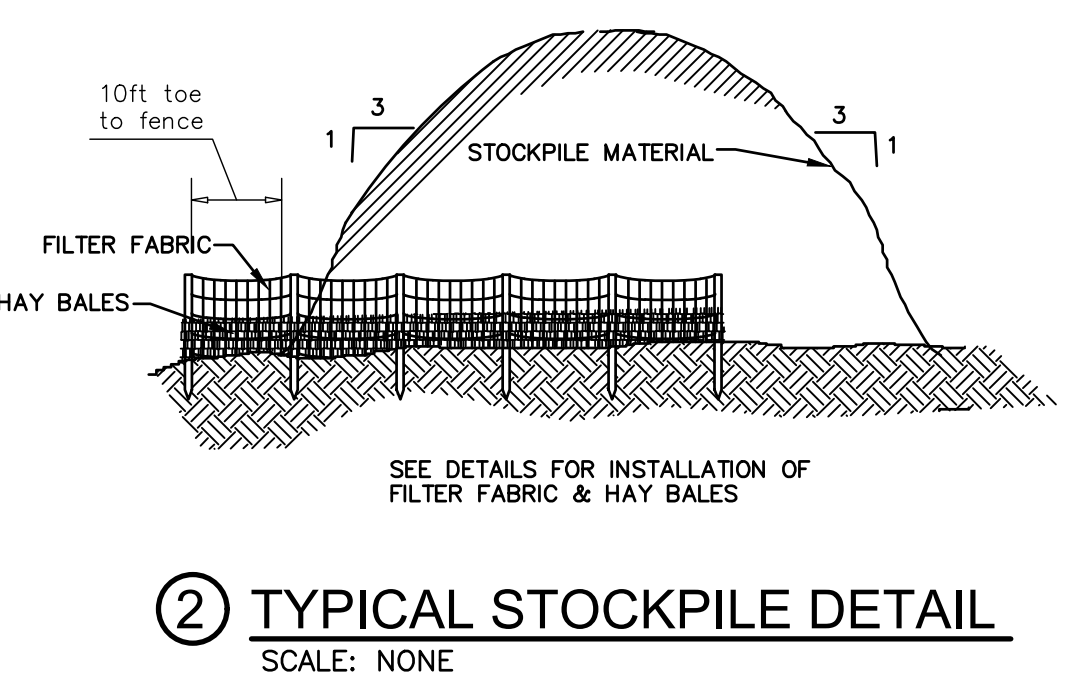
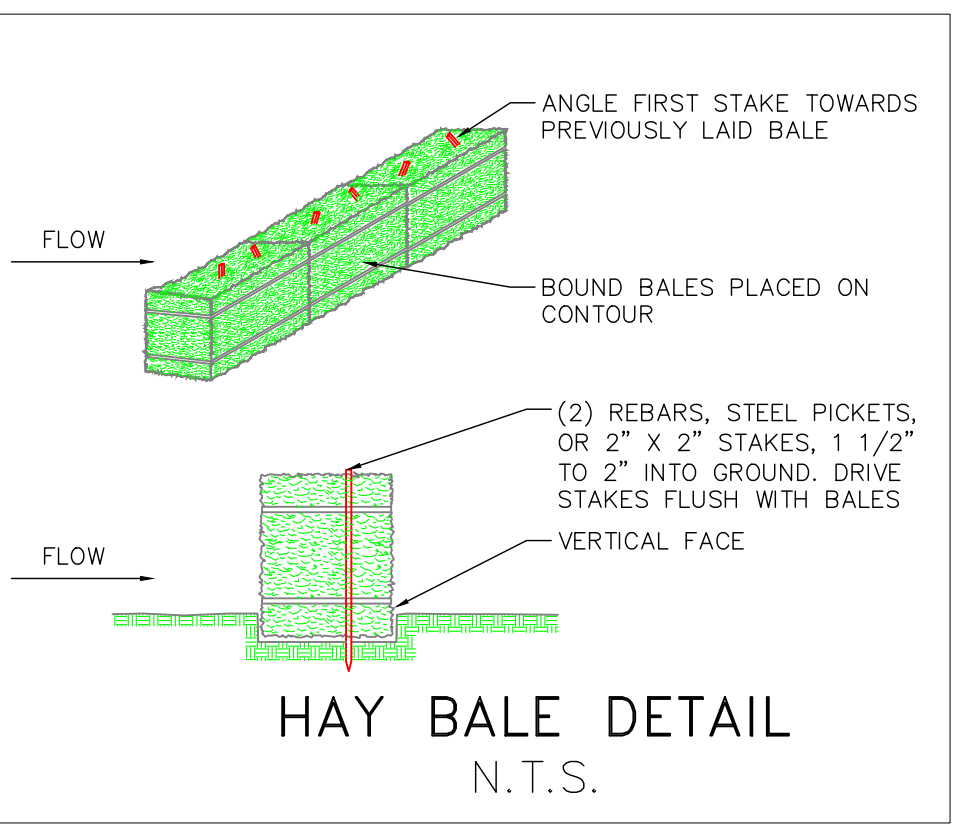
- 1) INITIAL INSPECTIONS FOR THE FIRST SIX MONTHS (ONCE AFTER EACH STORM GREATER THAN HALF- INCH)
- 2) RESEEDING TO REPAIR BARE OR ERODING AREAS TO ASSURE GRASS STABILIZATION
- 3) WATER ONCE EVERY THREE DAYS FOR FIRST MONTH, AND THEN PROVIDE A HALF INCH OF WATER PER WEEK DURING FIRST YEAR. IRRIGATION PLAN MAY BE ADJUSTED ACCORDING TO THE RAIN EVENT.
- 4) FERTILIZATION MAY BE NEEDED IN THE FALL AFTER THE FIRST GROWING SEASON TO INCREASE PLANT YOOR

ONGOING MAINTENANCE:

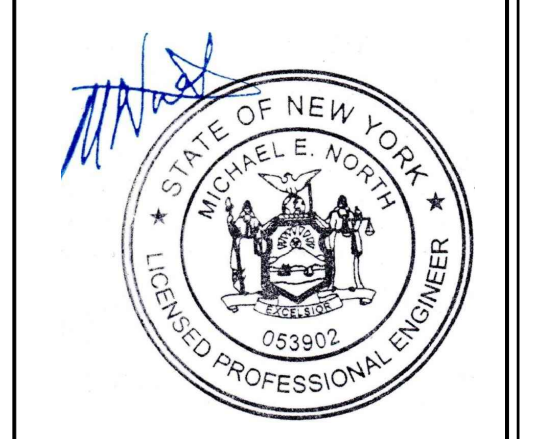
- 1) TWO POINTS HELP ENSURE LASTING RESULTS OF DECOMPACTION:
- 1) PLANTING THE APPROPRIATE GROUND COVER WITH DEEP ROOTS TO MAINTAIN THE SOIL STRUCTURE.
- 2) KEEPING THE SITE FREE OF VEHICULAR AND FOOT TRAFFIC OR OTHER WEIGHT LOADS. CONSIDER PEDESTRIAN FOOTPATHS, (SOMETIMES IT MAY BE NECESSARY TO DE-HATCH THE TURF EVERY FEW YEARS)



- CONSTRUCTION NOTES FOR FABRICATED SILT FENCE:**
1. WOVEN WIRE FENCE TO BE FASTENED SECURELY TO FENCE POSTS WITH WIRE TIES OR STAPLES.
 2. FILTER CLOTH TO BE FASTENED SECURELY TO WOVEN WIRE FENCE WITH TIES SPACED EVERY TWENTY FOUR (24) INCHES AT TOP AND SECTION.
 3. WHEN TWO SECTIONS OF FILTER CLOTH ADJOIN EACH OTHER, THEY SHALL BE OVERLAPPED BY SIX (6) INCHES AND FOLDED.
 4. MAINTENANCE SHALL BE PERFORMED AS NEEDED AND MATERIAL REMOVED WHEN "BULGES" DEVELOP IN THE SILT FENCE.
 5. MATERIALS:
POSTS: STEEL EITHER "T" OR "U" TYPE OR TWO (2) INCH HARDWOOD.
FENCE: WOVEN WIRE, 14 1/2 GAUGE SIX (6) INCH MAXIMUM MESH OPENING.
FILTER CLOTH: FILTER X, MIRAFI 100X, STABILINKA T140N OR APPROVED EQUAL.
PREFABRICATED UNIT: GEOFAB, ENVIROFENCE, OR APPROVED EQUAL.



NORTH ENGINEERS & DESIGN ASSOCIATES
1404 Rt 28 PO BOX 278
WEST HURLEY, NY 12491
(845) 331-0028
WWW.NORTHEENGINEERS.COM



NEVERALONE TEEN CENTER
SBL 47.3-2-11.1
20 CROFT RD
WEST HURLEY, NY
KMG HOLDINGS LLC
2925 10TH Ave. N
Palm Springs, FL

Scale:
1"=30 FT
Drawn By:
M. North
DATE:
MARCH 2, 2024

SITE EROSION CONTROL
TOWN OF HURLEY
PERMITTING

C-3